

MECHANICAL
COMPONENTS

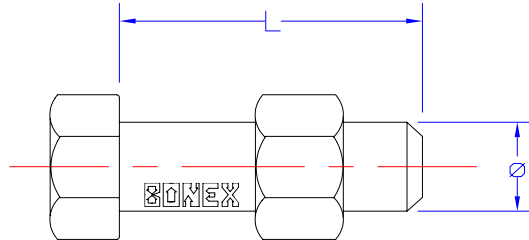
COMPOSANTS
MÉCANIQUE

COMPONENTI
MECCANICI

Bolt and nut for guide rails

Boulon et écrou pour guides

Bullone e dado per guide

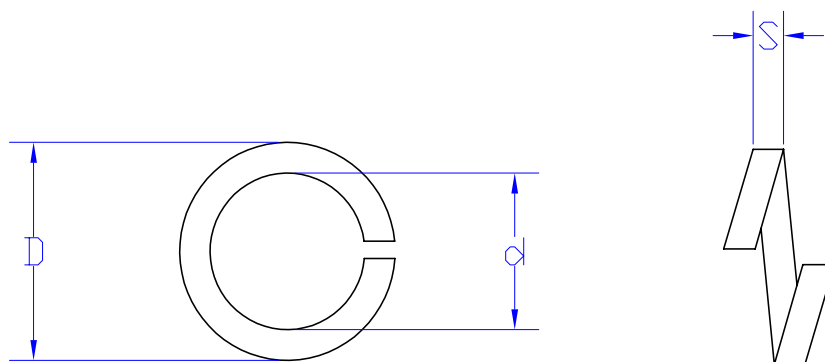


bolt and nut <i>boulon et écrou</i> Bullone e dado	Ø	L	guide rails <i>guides</i> guide	weight (Kg.) of set 8 Pz. <i>poids (Kg.) de kit 8 Pz</i> peso (Kg.) confez. 8 Pz.	Cod. BONEX
8x25	M8	25	T45/A, T50/A	0.13	AGUM-BU05
12x35	M12	35	T70-2/A, T70-1/A, T75-3/A, T89/A, T90/A, T75-3/B T90/B, T82/A, T89/B	0.44	AGUM-BU10
16x45	M16	45	T125/A, T125/B, T127-1/B, T127-2/B	1.00	AGUM-BU20
20x65	M20	65	T140-1/B	1.75	AGUM-BU25

Washer for guide rails (DIN 127)

Rondelle pour guides (DIN 127)

Rondella per guide (DIN 127)



d	D	S	guide rails <i>guides</i> guide	Cod. BONEX
A8			T45/A, T50/A	AGUM-RO05
A12			T70-2/A, T70-1/A, T75-3/A, T89/A, T90/A, T75-3/B T90/B, T82/A, T89/B	AGUM-RO10
A16			T125/A, T125/B, T127-1/B, T127-2/B	AGUM-RO20
A20			T140-1/B	AGUM-RO25