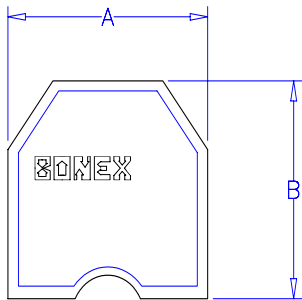


Modular terminal block closing plate Din 35



\varnothing mm ²	Cod.
2,5 : 4,0	AQMG-M25
10,0	AQMG-MA5