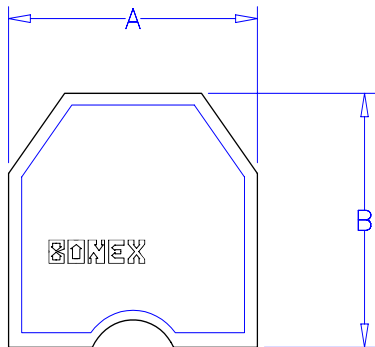


Modular terminal block separating plate Din 35



\varnothing mm ²	Cod.
2,5 : 4,0	AQMG-M26
10,0	AQMG-MA6