

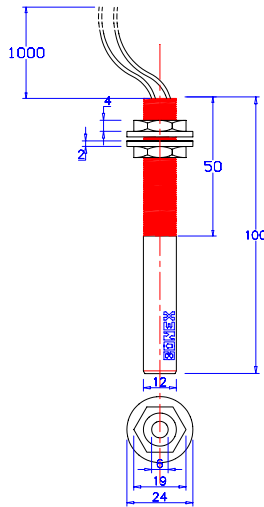
ELECTRIC PARTS

COMPOSANTS ELECTRIQUES

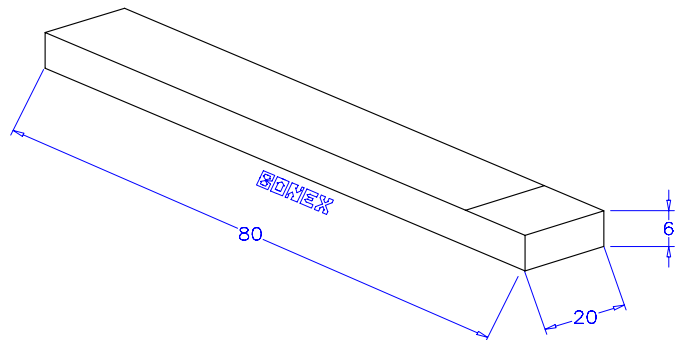
COMPONENTI ELETTRICI

Cigar bistable 250V/100W/3A type ST  
Bistable cigare 250V/100W/3A type ST  
Bistabile a sigaro 250V/100W/3A tipo ST

Permanent magnet plate (two poles on one side only)  
Plaque aimant permanent (deux pôles sur un côté)  
Piastra magnete permanente (due poli su un lato lato)



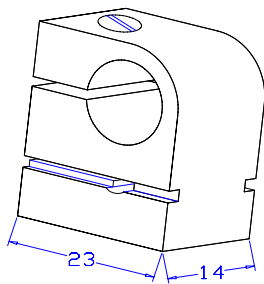
Cod. CBIS-010



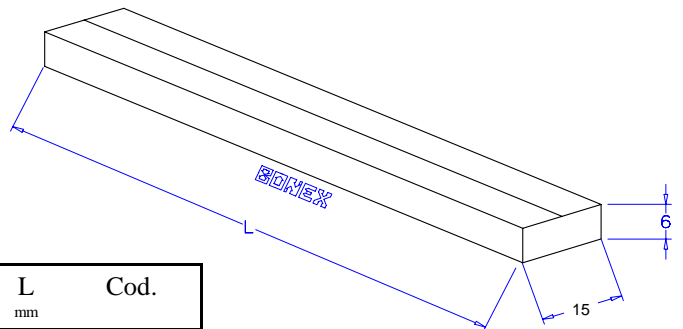
Cod. CLMC-20

Cigar bistable support  
Support pour bistable cigare  
Supporto per bistabile a sigaro

Permanent magnet plate (two poles on two sides)  
Plaque aimant permanent (deux pôles sur deux côtés)  
Piastra magnete permanente (due poli su due lati)



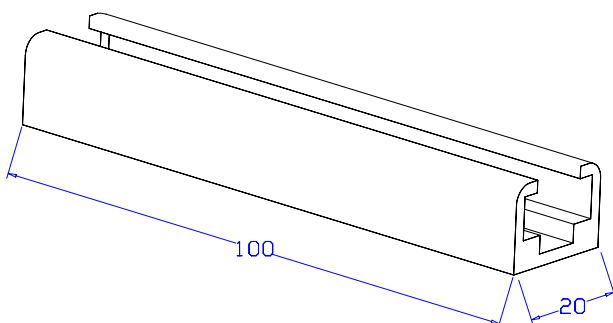
Cod. CBIS-SU10



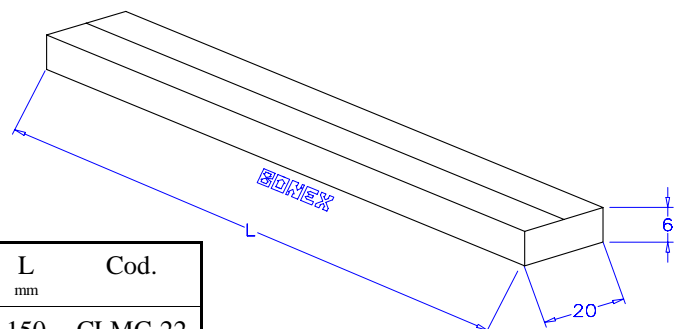
L mm	Cod.
150	CLMC-12
500	CLMC-14
1000	CLMC-16

Cigar bistable guide  
Guide pour bistable cigare  
Guida per bistabile a sigaro

Permanent magnet plate (two poles on two sides)  
Plaque aimant permanent (deux pôles sur deux côtés)  
Piastra magnete permanente (due poli su due lati)



Cod. CBIS-GU10



L mm	Cod.
150	CLMC-22
500	CLMC-24
1000	CLMC-26