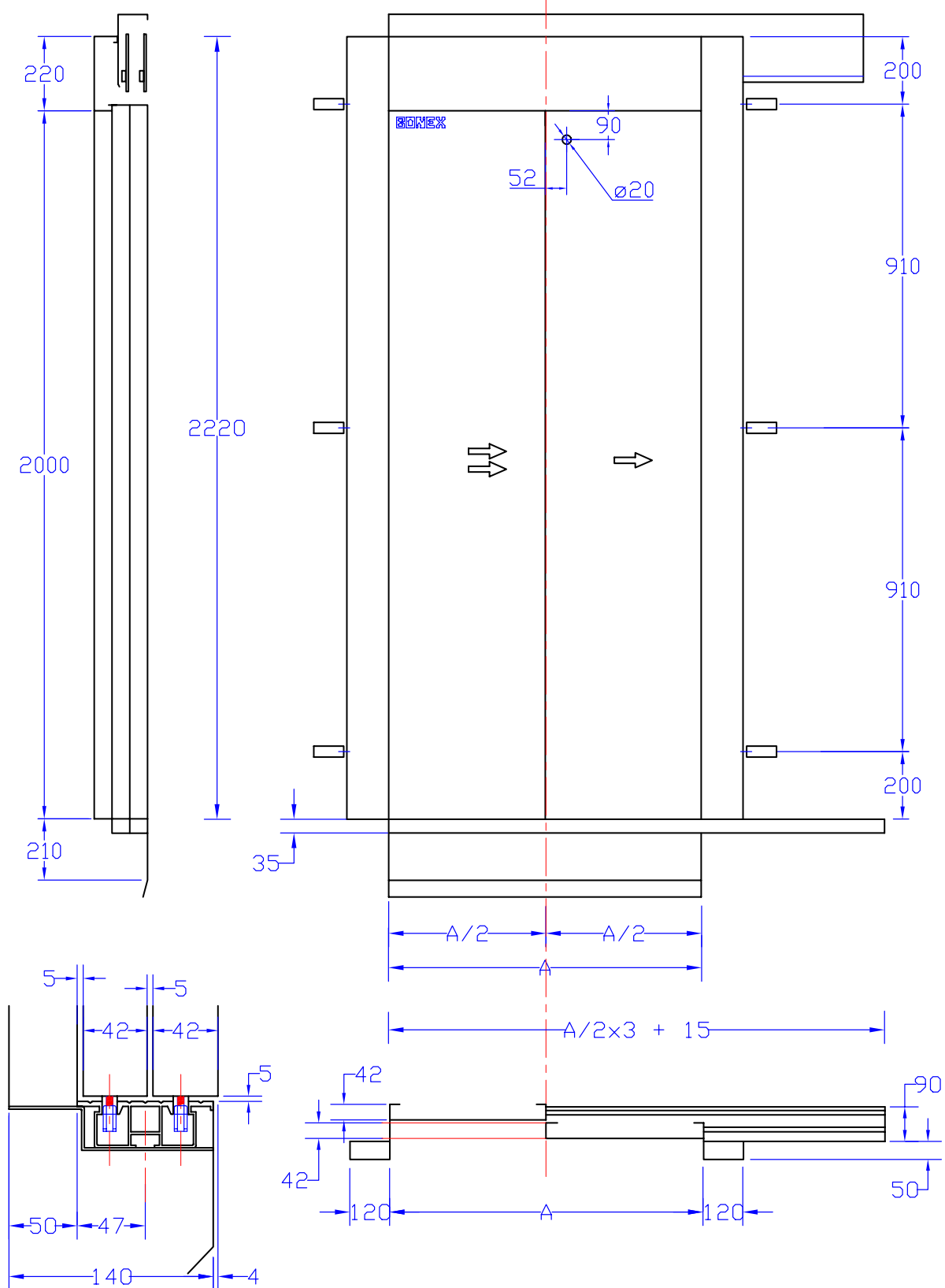


Automatic landing door, side opening (right), 2 panels (with frame)

Portes automatiques, ouverture laterale (droite), 2 panneaux (avec encadrement)

Porta automatica di piano telescopica (CS), 2 ante (con telaio)



TYPE - TYPE - TIPO	A=700	A=800	A=900	A=1000
anti-rust - antirouille - antiruggine	CPAD-PSO7A	CPAD-PSO8A	CPAD-PSO9A	CPAD-PSOAA
stainless steel-acier inoxydable-acciaio inox	CPAD-PSO7I	CPAD-PSO8I	CPAD-PSO9I	CPAD-PSOAI