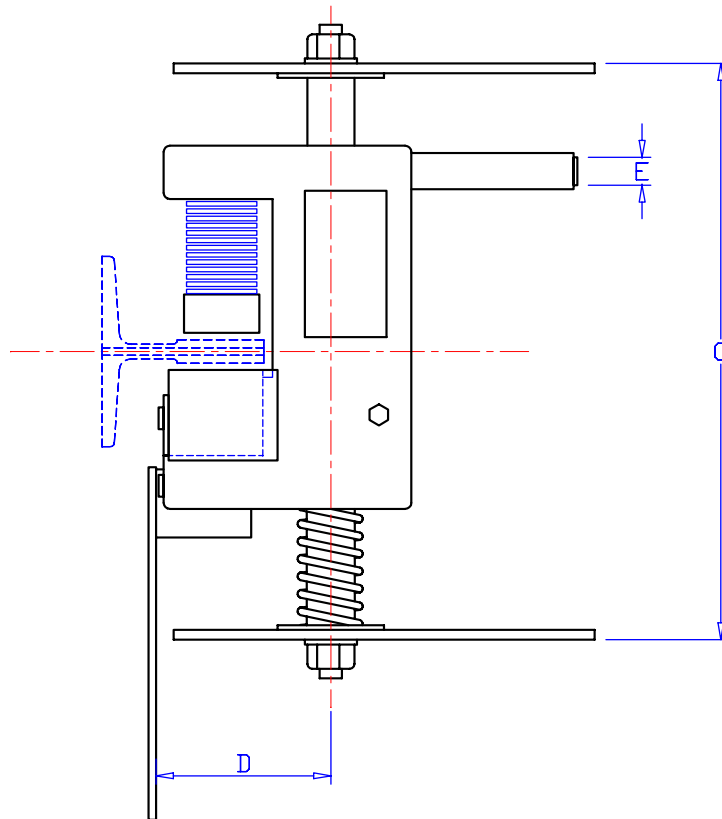
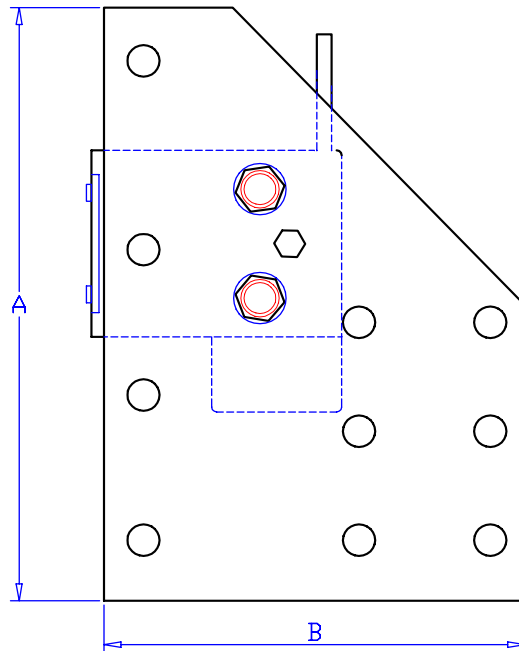


Progressive safety gear

Parachutes à prise progressive

Blocco paracadute a presa progressiva

TÜV BAYERN



speed vitesse velocità	machined guide rails guides usinées guide lavorate	A	B	C	D	E	P Kg	+	Q Kg	=	T Kg	=	Max Kg	weight poids peso	Cod.
1,60 m/s	10-16 mm	245	170	240	72	16	650	+	800	=	1450	=	1650	21,5	AATM-PCP2
1,60 m/s	10-16 mm	245	190	240	90	20	1500	+	1500	=	3000	=	3870	32,0	AATM-PCP4
1,60 m/s	14-16 mm	280	188	260	90	20	4000	+	2000	=	6000	=	6370	47,0	AATM-PCP6