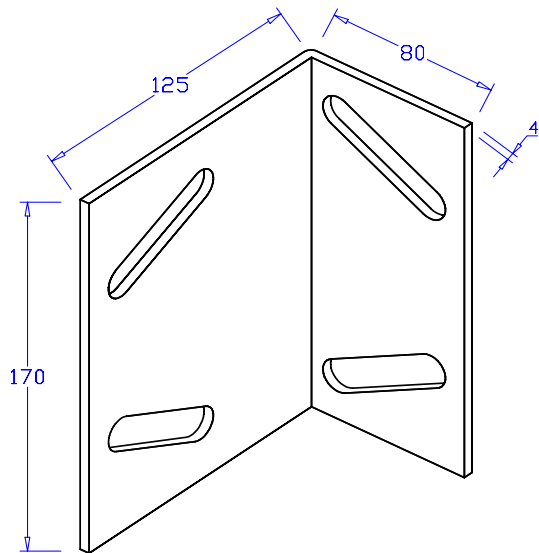


Cod. CSTB-02



Cod. CSTB-01