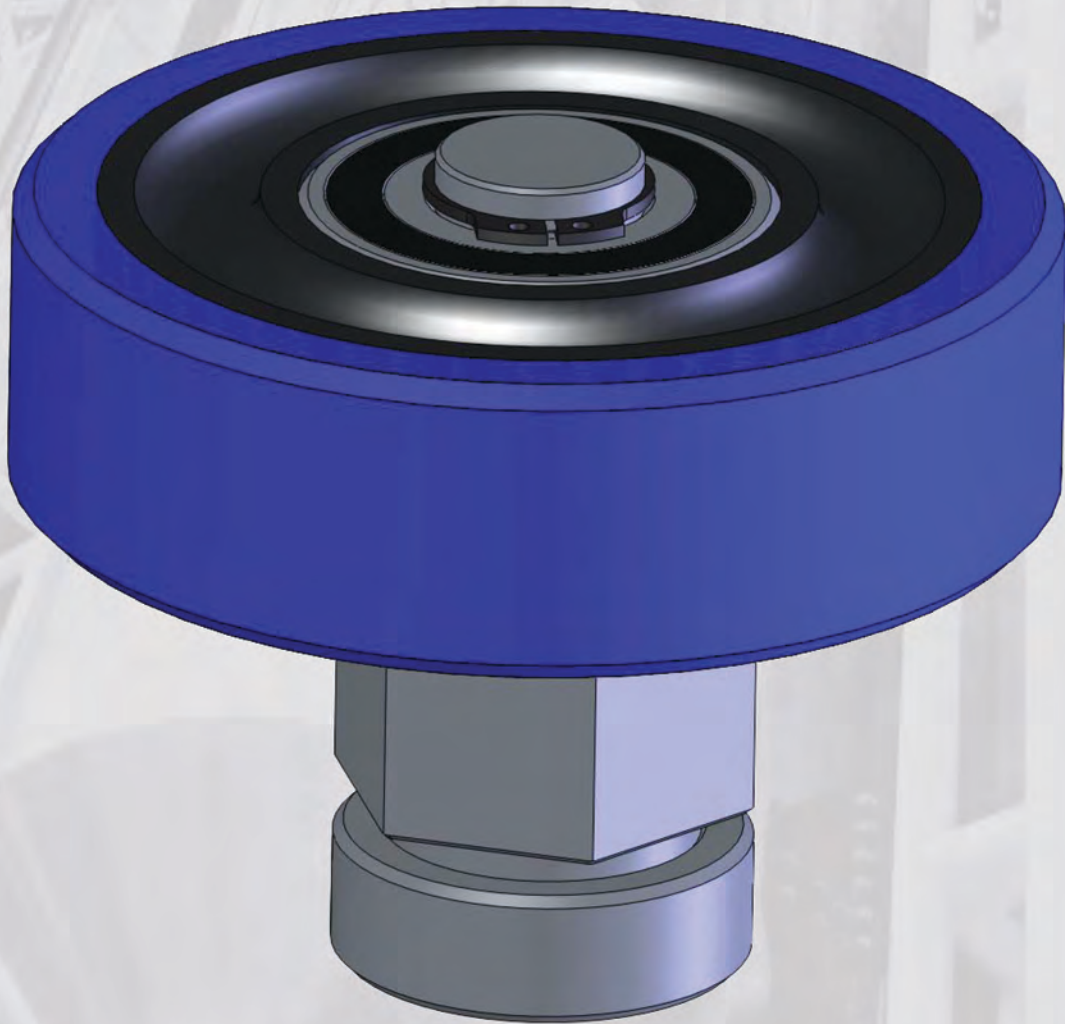


BONEX LIFTS

MADE IN ITALY

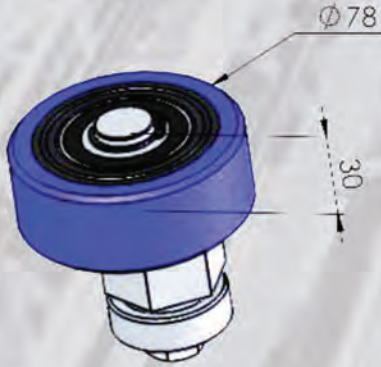
LIFT & EQUIPMENT

rouler shoes bonex



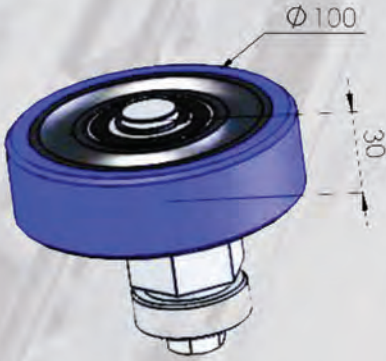
Rev. 014

ROLLER SHOES Ø78mm (TURNED)



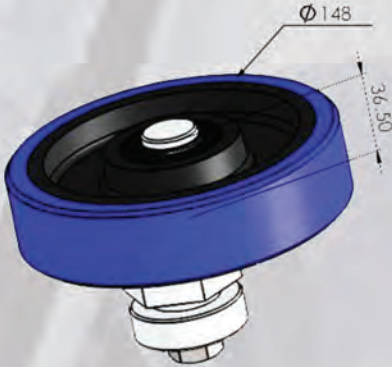
Num. article	Description	Q.tà
1	Eccentricity pin 6.0mm turned Ø20x70mm (Material AVP + Tumbling)	1
2	Washer In AVP + Tumbling Ø40xForeØ6,0mm	1
3	Wheel Ø78x30,0mm in cast iron + Polyurethane / shore 87-turned	1
4	Elastic rings for shafts (Seeger) DIN 471 Acc.Molle 20	1
5	Screw TE All Thread PG DIN 933 CI 8.8 M 12 x 030 Z.Bianca	1
6	Elastic washers Grower DIN 127-B Acc.Molle D 12 Z.D.Bianca	1

ROLLER SHOES Ø100mm (TURNED)



Num. article	Description	Q.tà
1	Eccentricity pin 6.0mm turned Ø20x70mm (Material AVP + Tumbling)	1
2	Washer In AVP + Tumbling Ø40xForeØ6,0mm	1
3	Cast iron Ø100x30,0mm wheel + Polyurethane / shore 87-turned	1
4	Elastic rings for shafts (Seeger) DIN 471 Acc.Molle 20	1
5	Screw TE All Thread PG DIN 933 CI 8.8 M 12 x 030 Z.Bianca	1
6	Elastic washers Grower DIN 127-B Acc.Molle D 12 Z.D.Bianca	1

ROLLER SHOES Ø148mm (TURNED)



Num. article	Description	Q.tà
1	Eccentricity pin 7.5mm turned Ø25x89mm (Material AVP + Tumbling)	1
2	Washer In AVP + Tumbling Ø50xForeØ7,5mm	1
3	Cast iron Ø148x36,5mm wheel + Polyurethane / shore 87-turned	1
4	Elastic rings for shafts (Seeger) DIN 471 Acc.Molle 25	1
5	Screw TE All Thread PG DIN 933 CI 8.8 M 12 x 030 Z.Bianca	1
6	Elastic washers Grower DIN 127-B Acc.Molle D 14 Z.D.Bianca	1

Italy

Bonex Lifts Sas

Via De'Industria 18/20
40023 Castel Guelfo
Bologna fr

Tel +39 0542 670168
Fax +39 0542 670402
E Mail lifts@bonex.it
www.bonex.it

Lebanon

Industriel & Trade (Bonex Lifts)

Airport Road
Bella Casa Bld.
Beirut Lebanon

Tel +961 1 450135
Fax +961 1 450136
Email tchokor@bonexlifts.com

Syria

Alsouria Alitaliya Lifts (Bonex Lifts)

Industrial Area
Damascos Syria

Jordan

Italian Factory Lifts (Bonex Lifts)

Almuqabilain
Tha'labah Al-Ameli St.
Amman Jordania

Saudi Arabia
Components

Lifts Engineering Trading Co.

Behind Electrics Co.
Industrial Area

Jeddah Saudi Arabia

Tel +966 558838489/90
Fax +966 2 6362211